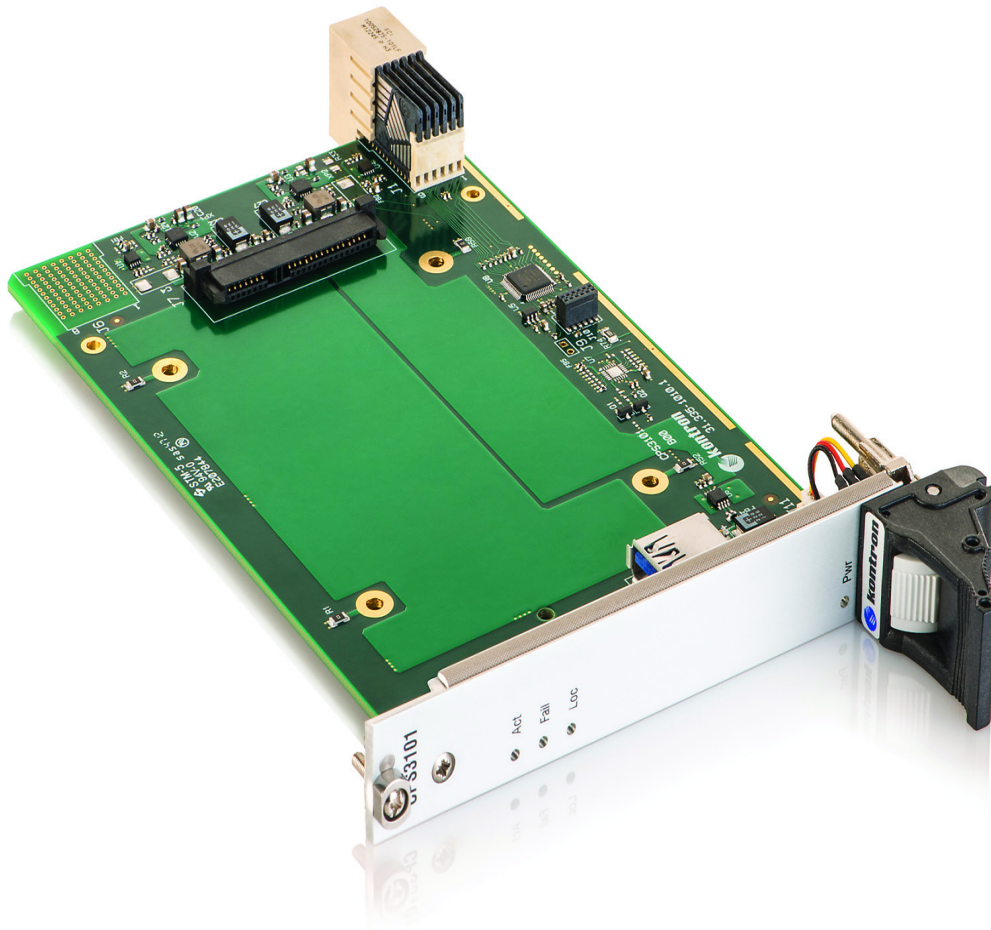


» User Guide «



CPS3101

Doc. ID: 1054-8648, Rev. 2.0

Date: July 3, 2013

Revision History

Publication Title:		CPS3101 User Guide
Doc. ID:		1054-8648
Rev.	Brief Description of Changes	Date of Issue
1.0	Initial issue	6-Jun-2013
2.0	General update	3-Jul-2013

Imprint

Kontron Europe GmbH may be contacted via the following:

MAILING ADDRESS

Kontron Europe GmbH
Sudetenstraße 7
D - 87600 Kaufbeuren Germany

TELEPHONE AND E-MAIL

+49 (0) 800-SALESKONTRON
sales@kontron.com

For further information concerning other Kontron products, please visit our Internet website: www.kontron.com.

Disclaimer

Copyright © 2013 Kontron AG. All rights reserved. All data is for information purposes only and not guaranteed for legal purposes. Information has been carefully checked and is believed to be accurate; however, no responsibility is assumed for inaccuracies. Kontron and the Kontron logo and all other trademarks or registered trademarks are the property of their respective owners and are recognized. Specifications are subject to change without notice.

Contents

Revision History	2
Imprint	2
Disclaimer	2
Contents	3
Tables	4
Warranty	5
Proprietary Note	5
Trademarks	5
Environmental Protection Statement	5
1 Introduction	6
1.1 Board Overview	6
1.2 Board Diagrams	6
1.2.1 Functional Block Diagram	6
1.2.2 Front Panel	7
1.2.3 Board Layout	7
1.3 Technical Specification	8
1.4 Standards	9
1.5 Related Publications	9
2 Functional Description	10
2.1 Board Interfaces	10
2.1.1 Front Panel LEDs	10
2.1.2 USB Interface	10
2.1.3 SATA Interface	10
2.1.4 CompactPCI Serial Interface	10
3 Installation	11
3.1 Safety	11
3.2 General Instructions on Usage	11
3.3 Board Installation	12
3.3.1 Hot Swap Insertion	12
3.3.2 Hot Swap Removal	12
3.4 2.5" SATA HDD/SSD Installation	12
3.5 USB Device Installation	12

Tables

1	CPS3101 Main Specifications	8
2	Standards	9
3	Additional Standards for Boards Ordered with Ruggedized Service	9
4	Related Publications	9
5	Front Panel LEDs Functions	10

Figures

1	CPS3101 Functional Block Diagram	7
2	4 HP CPS3101 Front Panel	8
3	4 HP CPS3101 Board Layout (Top View)	8

Warranty

This Kontron product is warranted against defects in material and workmanship for the warranty period from the date of shipment. During the warranty period, Kontron will at its discretion decide to repair or replace defective products.

Within the warranty period, the repair of products is free of charge as long as warranty conditions are observed.

The warranty does not apply to defects resulting from improper or inadequate maintenance or handling by the buyer, unauthorized modification or misuse, operation outside of the product's environmental specifications or improper installation or maintenance.

Kontron will not be responsible for any defects or damages to other products not supplied by Kontron that are caused by a faulty Kontron product.

Proprietary Note

This document contains information proprietary to Kontron. It may not be copied or transmitted by any means, disclosed to others, or stored in any retrieval system or media without the prior written consent of Kontron or one of its authorized agents.

The information contained in this document is, to the best of our knowledge, entirely correct. However, Kontron cannot accept liability for any inaccuracies or the consequences thereof, or for any liability arising from the use or application of any circuit, product, or example shown in this document.

Kontron reserves the right to change, modify, or improve this document or the product described herein, as seen fit by Kontron without further notice.

Trademarks

This document may include names, company logos and trademarks, which are registered trademarks and, therefore, proprietary to their respective owners.

Environmental Protection Statement

This product has been manufactured to satisfy environmental protection requirements where possible. Many of the components used (structural parts, printed circuit boards, connectors, etc.) are capable of being recycled.

Final disposition of this product after its service life must be accomplished in accordance with applicable country, state, or local laws or regulations.

1 Introduction

1.1 Board Overview

The CPS3101 is a 3U CompactPCI® Serial carrier board that provides support for one 2.5" SATA HDD or SSD with transfer rates up to 6 Gb/s. The CPS3101 is equipped with an onboard USB 3.0 connector for connection to system-internal USB devices. To ensure maximum signal integrity on the SATA interface and the USB interface, a SATA/SAS redriver and an USB 3.0 redriver have been implemented on the CPS3101.

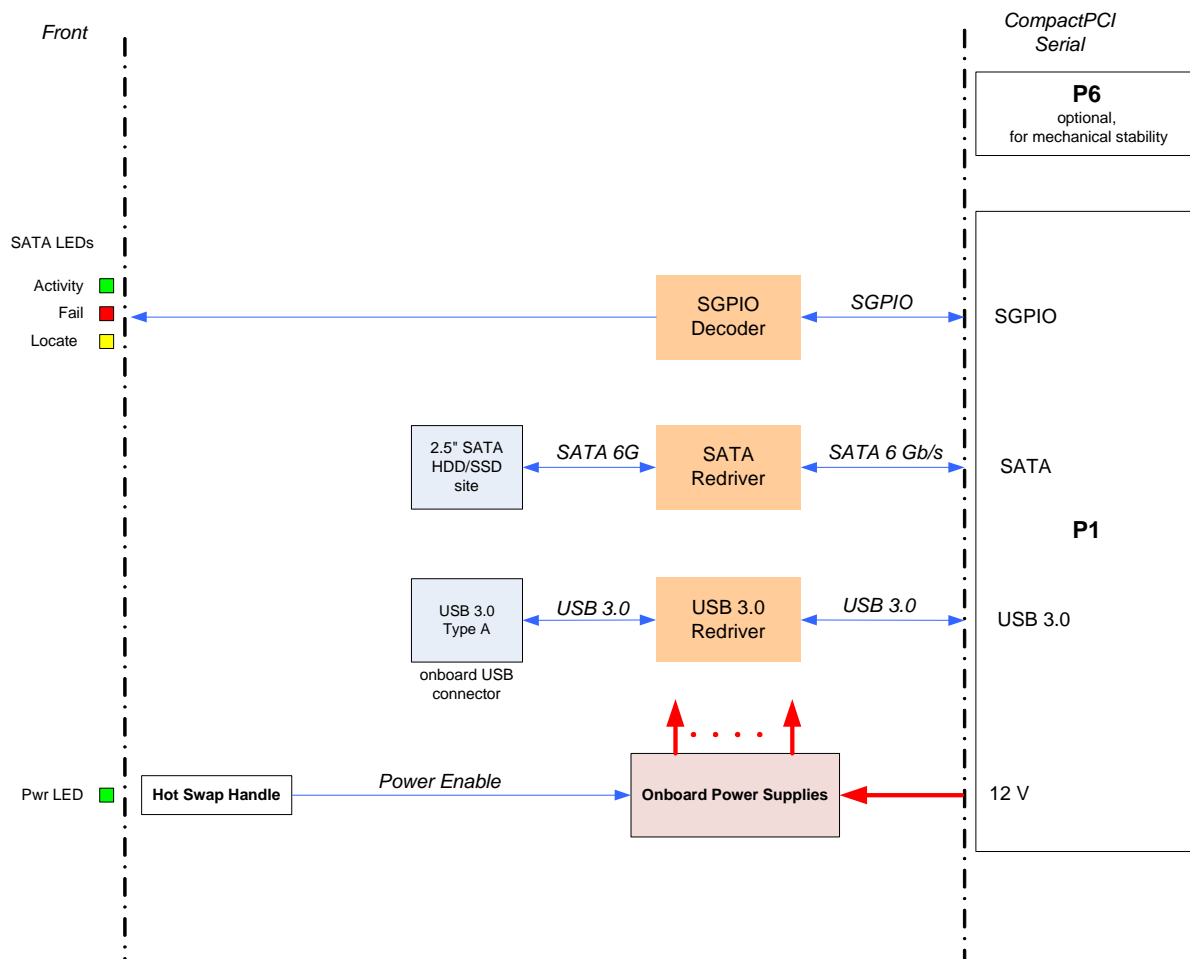
The complete board design is optimized for best shock and vibration resistance and offers a service-friendly implementation.

1.2 Board Diagrams

The following diagrams provide additional information concerning board functionality and component layout.

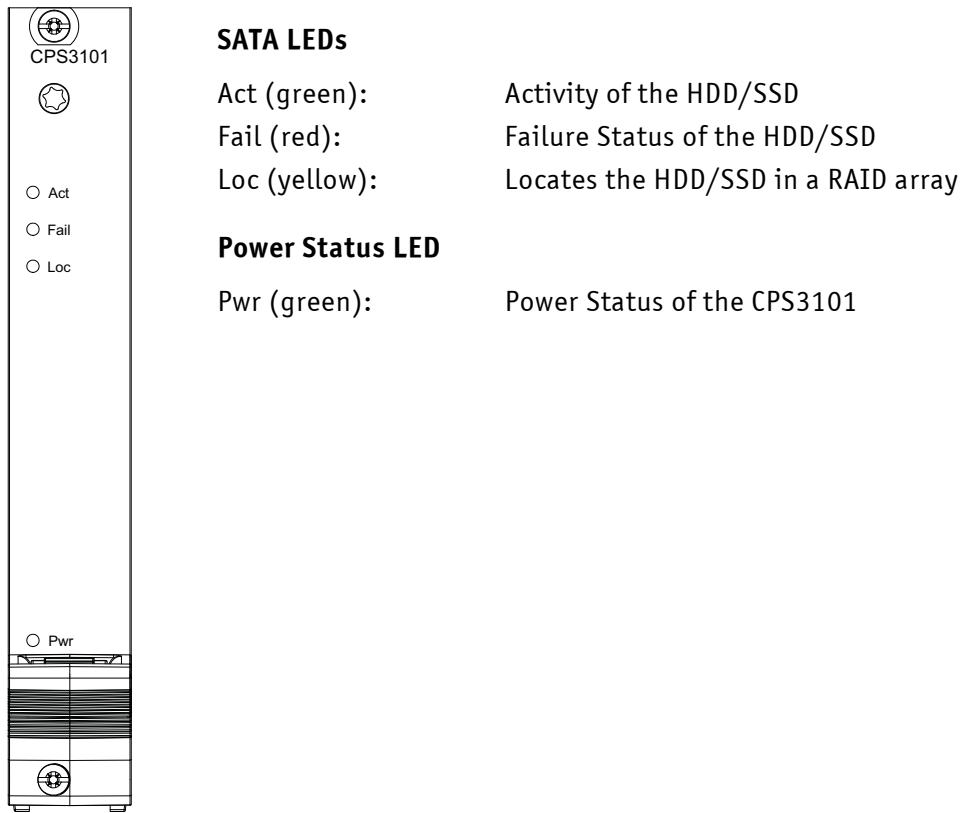
1.2.1 Functional Block Diagram

Figure 1: CPS3101 Functional Block Diagram



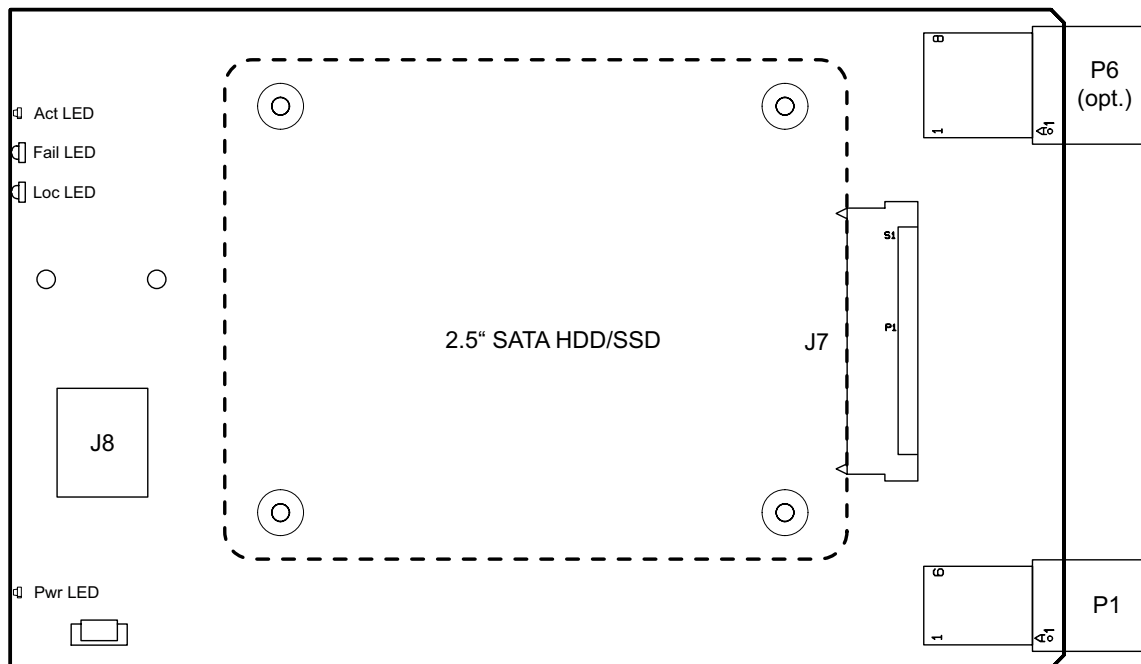
1.2.2 Front Panel

Figure 2: 4 HP CPS3101 Front Panel



1.2.3 Board Layout

Figure 3: 4 HP CPS3101 Board Layout (Top View)



1.3 Technical Specification

Table 1: CPS3101 Main Specifications

FEATURES		SPECIFICATIONS
Onboard Interfaces	USB	One USB 3.0 interface on type A connector, J8
	SATA	One SATA 6 Gb/s interface on standard SATA connector, J7, for connecting a SATA 2.5" HDD/SSD
	CompactPCI Serial	CompactPCI Serial interface on connector P1: <ul style="list-style-type: none"> » Compliant with PICMG® CPCI-S.0 R 1.0 CompactPCI® Serial Specification » Support for the following interfaces: <ul style="list-style-type: none"> » 1 x SATA 6 Gb/s » 1 x USB 3.0 » SGPIO One optional CompactPCI Serial connector P6 for increased mechanical stability
Hot Swap	Hot Swap	Hot swap handle with integrated hot swap switch for shutting down the power supplies in order to safely remove the CPS3101 from the system
LEDs	Front Panel LEDs	SATA LEDs: <ul style="list-style-type: none"> » Act (green): Activity of the HDD/SSD » Fail (red): Failure Status of the HDD/SSD » Loc (yellow): Locates the HDD/SSD in a RAID array Power Status LEDs: <ul style="list-style-type: none"> » Pwr (green): Power Status of the CPS3101
General	Mechanical	3U, 4 HP, CompactPCI Serial-compliant form factor
	Power Consumption	approx. 0.6 W (without hard disk or USB device connected)
	Power Supply	+12V DC in accordance with the CompactPCI® Serial Specification
	Temperature Range	Operational: 0°C to +60°C Standard -40°C to +85°C Extended Storage: -40°C to +85°C Without hard disk
	Climatic Humidity	93% RH at 40 °C, non-condensing (acc. to IEC 60068-2-78)
	Dimensions	100 mm x 160 mm
	Board Weight	135 grams

1.4 Standards

This product complies with the requirements of the following standards.

Table 2: Standards

TYPE	ASPECT	STANDARD
CE	Emission	EN55022, EN50121-3-2, EN61000-6-3
	Immission	EN55024, EN50121-3-2, EN61000-6-2
	Electrical Safety	EN60950-1
Mechanical	Mechanical Dimensions	IEEE 1101.10
Environmental	Climatic Humidity	IEC60068-2-78
	WEEE	Directive 2002/96/EC Waste electrical and electronic equipment
	RoHS 2	Directive 2011/65/EU Restriction of the use of certain hazardous substances in electrical and electronic equipment

In addition, boards ordered with the ruggedized service comply with the following standards as well.

Table 3: Additional Standards for Boards Ordered with Ruggedized Service

TYPE	ASPECT	STANDARD	REMARKS
Environmental	Vibration (Sinusoidal)	IEC60068-2-6 IEC61131-2	Ruggedized version test parameters: 9-150 (Hz) frequency range 1 (g) acceleration 1 (oct/min) sweep rate 10 cycles/axis 3 axis
	Single Shock	IEC60068-2-27 IEC61131-2	Ruggedized version test parameters: 15 (g) acceleration 11 (ms) shock duration half sine 3 number of shocks per direction (total: 18) 6 directions 5 (s) recovery time

Note: Customers desiring to perform further environmental testing of the CPS3101 must contact Kontron for assistance prior to performing any such testing.

Boards **without conformal coating** must not be exposed to a change of temperature which can lead to condensation, as it may cause irreversible damage especially when the board is powered up again.

Kontron does not accept any responsibility for damage to products resulting from destructive environmental testing.

1.5 Related Publications

The following publications contain information relating to this product.

Table 4: Related Publications

PRODUCT	PUBLICATION
CompactPCI Serial Systems	PICMG® CPCI-S.0 R 1.0 CompactPCI® Serial Specification
All Kontron products	Product Safety and Implementation Guide, ID 1021-9142