

12R2 10U, Front Loaded



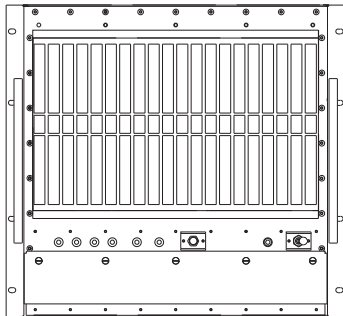
FEATURES

- VME, VME64x, VXS, VPX, cPCI or MicroTCA compatible
- 19" rackmount per IEC60297 (slide mounting optional)
- 10U H, standard depth 22"
- 2-20 slot, IEEE 1101.10/.11 compliant card cages, front load
- Mounting for 2 x 5.25" HH and 1 x 3.5" devices
- Front to rear evacuative cooling (350 LFM @ .1" H2O)
- Custom rear I/O patch panel (rear I/O cards optional)
- MIL grade components
- Front mounted LEDs for; voltage monitoring, fan fail and over temp
- 500-1200 watt PSU options
- Input options: 90-264VAC Fixed PSU, 47-500 Hz, 28/48VDC

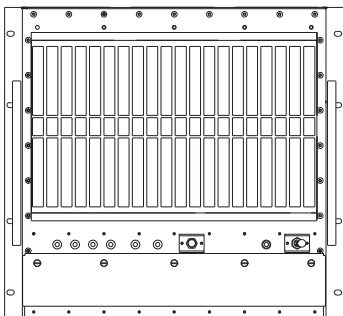
PRODUCT INFORMATION

The 10U, 12R2 was designed to meet the harsh environment of shipboard, airborne, and ground mobile applications per MIL-STD's. The front load card orientation combined with addition height maximizes slot count and device mounting capability. Highly configurable, the unit can be ordered with choice of VME, VME64x, VXS, VPX, CPCI or MicroTCA, fixed or shock isolated card cage, rear I/O card mounting, device mounting, 500 to 1200 watt PSU, AC or DC input and custom I/O patch panel. Available in both 22" and 25" depths the unit holds up to 20, front loaded cards (fixed). Airflow is front to rear utilizing high volume fans. Shock isolated versions are designed to attenuate 25G shock inputs to the chassis to less than 10Gs at the card cage. All components, materials and design concepts are chosen to meet the applicable MIL-STD environments. The units come completely assembled and wired.

ORDERING INFORMATION

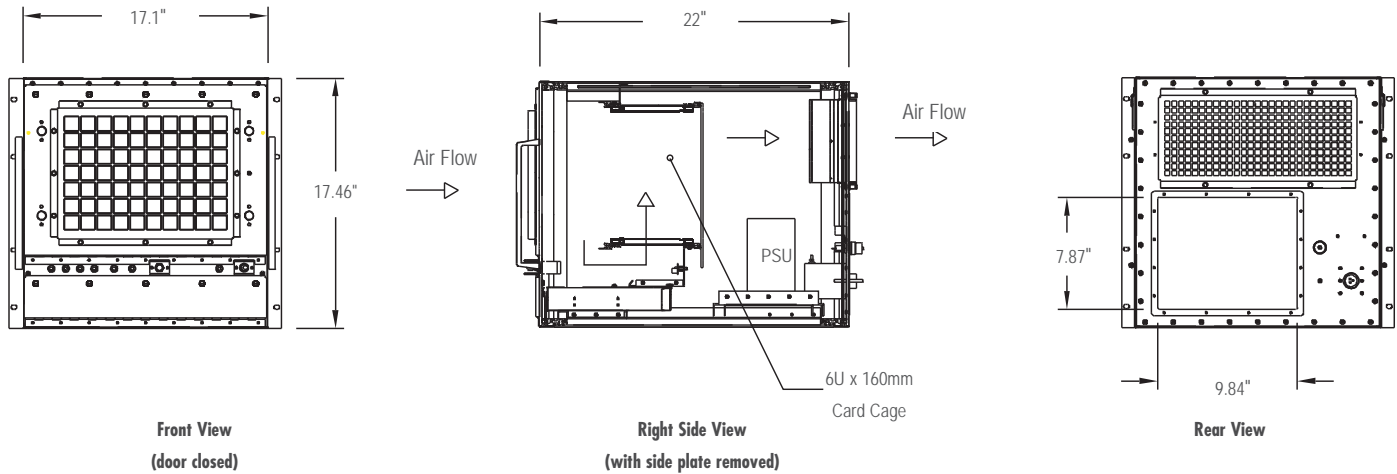


Description	Order Number
<ul style="list-style-type: none"> ■ 10U h x 22" d ■ Holds 20, 6U x 160mm cards, fixed mounted, front load ■ Rear I/O patch panel ■ 20 slot VME64x backplane w/P0 ■ Mounting for 2 x 5.25" HH and 1 x 3.5" devices ■ 1000 watt, 90-264VAC PSU, 47-500 Hz ■ 2 x 235cfm, HV fan 	12R2200P7F98Y6VCJ4



Description	Order Number
<ul style="list-style-type: none"> ■ 10U h x 22" d ■ Holds 20, 6U x 160mm cards, fixed mounted, front load ■ Rear I/O patch panel ■ 20 slot VXS Dual Star backplane ■ Mounting for 2 x 5.25" HH and 1 x 3.5" devices ■ 1200 watt@115 VAC, 1500 watt@220 VAC ■ 2 x 235cfm, HV fan 	12R220LL7F98Y6VCL4

LINE DRAWINGS



CUSTOM CONFIGURATIONS

1 2 R 2 ■ ■ ■ ■ ■ ■ A 8 ■ ■ V ■ ■ ■

■ NUMBER OF SLOTS BP

00-20: Single BP AY-YA: Split
Example: 7 slot = 07
Example: 12 + 9 = LI

■ BP BARE BOARD

A = CPCI (RSS), 6U
K = VITA 31.1
L = VXS (DS)
M = V64, J12 mono, 3 row
N = VME64X, 6U
O = VME64X, 7U
P = VPX, 6U (VITA 46)
S = VXS (SS)
T = VXS (Mesh)
X = No BP installed
Z = Custom

■ BP CONNECTOR CONFIG. J1/J2/P0

L = 5 row, w/o P0, w/ RT-2
M = 3 row, J1 flush, J2 13mm
N = 3 row, J1/J2, 17mm
O = 5 row, w/o P0
P = 5 row, w/ P0
Q = 3 row, 13mm
R = 3 row, 17mm
S = RT-2 (J0-J6) 6U
D = CPCI (P1 & P2 S; P3, P4, P5 L)
X = No connectors
Z = Custom

■ DRIVES

1 = 1 X 3.5"
2 = 2 X 3.5"
3 = 1 X 5.25" HH
4 = 2 X 5.25" HH
5 = 4 X 5.25" HH
6 = 2 X 3.5", 1 X 5.25" HH
7 = 1 X 3.5", 2 X 5.25" HH
8 = 2 X 3.5", 2 X 5.25" HH
9 = 1 X 3.5", 1 X 5.25" HH
A = 1 x 2.5", 1 X CDROM (SL)
B = 2 x 2.5"
C = 6 x 5.25" HH
D = 1 x slim line CDROM
X = Not installed

■ DEVICE MOUNTING

F = Fixed mount devices
I = Shock isolated devices
X = N/A

■ HEIGHT

A = 10U

■ WIDTH

8 = 84T

■ CARD CAGE

Y = Fixed w/ Rear I/O
N = Fixed no Rear I/O
F = Isolated w/ Rear I/O
I = Isolated no Rear I/O

■ DEPTH

4 = 400mm - 499mm
5 = 500mm - 599mm (22")
6 = 600mm - 699mm (25")
7 = 700mm - 799mm

■ CARD ORIENTATION

V = Vertical

■ PSU INPUT

C = 90-230VAC (Fixed)
G = 90-230VAC (Plug In)
H = 48VDC (Plug In)
K = 48VDC (Fixed)
M = 48VDC (2 x HS, N+1)
N = 28VDC (Fixed)
O = 28VDC (2 x HS, N+1)
P = 90-230VAC (2 x HS, N+1)
Q = MIL-STD-704A, 28VDC
R = MIL-STD-704A, 90-230VAC
S = Custom
X = No PSU

■ PSU OUTPUT

(Note: Not all PSU combinations available)

1 = 100-199 watt (w/o 3.3V)
2 = 200-299 watt (w/o 3.3V)
3 = 300-399 watt (w/o 3.3V)
4 = 400-499 watt (w/o 3.3V)
5 = 500-599 watt (w/o 3.3V)
6 = 600-699 watt (w/o 3.3V)
7 = 700-799 watt (w/o 3.3V)
8 = 800-899 watt (w/o 3.3V)
9 = 900-999 watt (w/o 3.3V)
A = 100-199 watt (w/ 3.3V)
B = 200-299 watt (w/3.3V)
C = 300-399 watt (w/3.3V)
D = 400-499 watt (w/3.3V)
E = 500-599 watt (w/3.3V)
F = 600-699 watt (w/ 3.3V)
G = 700-799 watt (w/ 3.3V)
H = 800-899 watt (w/3.3V)
I = 900-999 watt (w/3.3V)
J = 1000-1099 watt (w/3.3V)
K = 1100-1199 watt (w/3.3V)
L = 1200-1299 watt (w/3.3V)
M = 1300-1399 watt (w/3.3V)
N = 1400-1499 watt (w/3.3V)
X = Not installed

■ SHIELDING LEVEL

2 = Level 2
4 = MIL-STD-461
T = Tempest
X = Not installed

