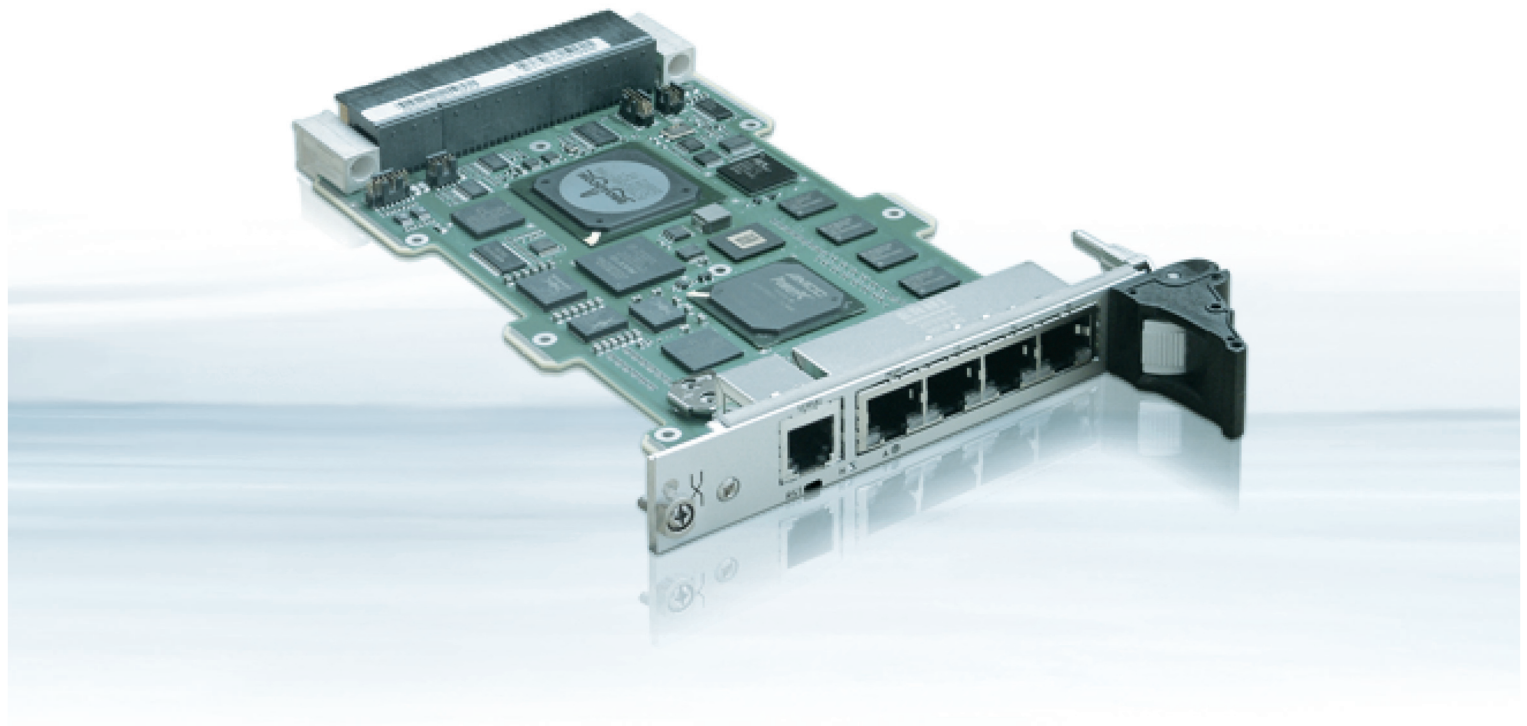


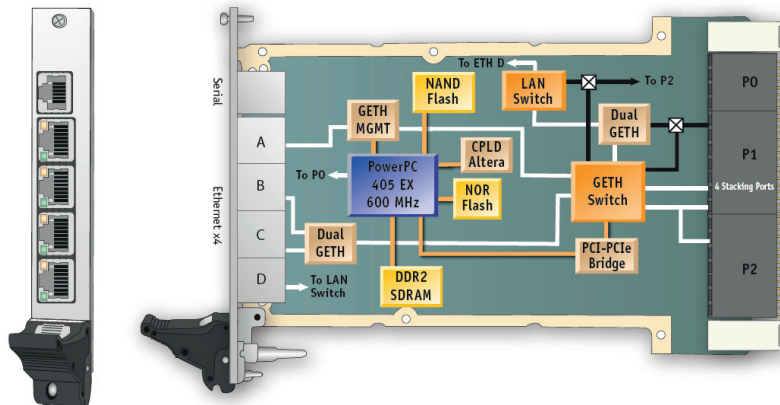
VX3910



HIGH-PERFORMANCE IPV4/IPV6 OpenVPX™ SWITCH

- ▶ non blocking gigabit ethernet switch
- ▶ enterprise class switching functions
- ▶ fully managed layer 3 solution
- ▶ front: up to 3x 1000BASE-T uplinks; rear: up to 24x 1000BASE-BX
- ▶ 10/100/1000BASE-T management port

VX3910 BLOCK DIAGRAM AND FRONT PANEL



TECHNICAL INFORMATION

PORTS	OpenVPX 3U Switch slot profile: SLT3-SWH-2F24U chap 14.4.3 Up to 24x GbE backplane ports Optional 1x 1000BASE-T backplane links 3x 1000BASE-T uplinks on front panel (RJ-45) One 10/100/1000BASE-T out-of-band management port on front panel (RJ-45) Quality Of Service on all ports (IEEE 802.1p)
ENTERPRISE CLASS SWITCHING FUNCTIONS	Static link aggregation (IEEE 802.3ad) on any port combination Classic, rapid and multiple spanning tree support (802.1D, 802.1w, 802.1S) Full duplex operation and flow control on all ports (IEEE 802.3x) Static MAC filtering, port authentication (IEEE 802.1x) Layer 2 multicast services using GARP/GMRP (IEEE 802.1p) VLAN support including VLAN tagging (IEEE 802.3ac), dynamic VLAN registration with GARP/GVRP (IEEE 802.1Q) and protocol based VLANs (IEEE 802.1v) Double VLAN tagging, port mirroring, IGMP snooping
ROUTING PROTOCOLS (OPTIONAL)	Include OSPFv2, RIPv2, VRRP, VLAN routing and DHCP relay
SWITCH MANAGEMENT	Fully managed L2/L3 switch via SNMP, TELNET, CLI Out of Band (front panel FE) or In-band via Fabric
MANAGEMENT PORT	10/100/1000BASE-T on front panel (RJ-45)
HEALTH MANAGEMENT	Status LEDs on front panel - Debug port (EIA-232) front panel or backplane (user configuration), 2x I2C busses on PO, both with master/slave capability (VPX SMB)
POWER CONSUMPTION	20 Watts (Typ.)
OPERATING TEMPERATURE	0° C to 55° C Air-Cooled (higher temp. on demand); -40° C to +85° C Conduction-Cooled
STANDARDS	Open VPX MOD3-SWH-2F24U module usable in SLT3-SWH-2F24U-14.4.3 slots - ROHS and CE compliant

ORDERING INFORMATION

ARTICLE	PART NO.	DESCRIPTION
SA - STANDARD COMMERCIAL		
VX3910	VX3910-SA-B1200	3U VPX, Rear: 22x 1000BASE-BX + 1x 1000BASE-T, Front (1 inch): 3x 1000BASE-T, Air-cooled build
VX3910	VX3910-SA-B1400	3U VPX, OpenVPX slot profile (SLT3-SWH-2F24U chap 14.4.3), Rear: 24x 1000BASE-BX, Front (1 inch): 3x 1000BASE-T, Air-cooled
RC - RUGGED CONDUCTION-COOLED		
VX3910	VX3910-RC-BN200	3U VPX, Rear: 22x 1000BASE-BX + 1x 1000BASE-T, Rugged conduction-cooled build
VX3910	VX3910-RC-BN400	3U VPX, OpenVPX slot profile (SLT3-SWH-2F24U chap 14.4.3), Rear: 24x 1000BASE-BX, Rugged conduction-cooled build

More options on request, special conditions may apply.

CORPORATE OFFICES

EUROPE, MIDDLE EAST & AFRICA

Lise-Meitner-Str. 3-5
86156 Augsburg
Germany
Tel.: +49 821 4086 0
Fax: +49 821 4086 111
info@kontron.com

NORTH AMERICA

14118 Stowe Drive
Poway, CA 92064-7147
USA
Tel.: +1 888 294 4558
Fax: +1 858 677 0898
info@us.kontron.com

ASIA PACIFIC

1-2F, 10 Building, No. 8 Liangshuihe 2nd Street,
Economical & Technological Development Zone,
Beijing, 100176, P.R.China
Tel.: +86 10 63751188
Fax: +86 10 83682438
info@kontron.cn