

VME 9U

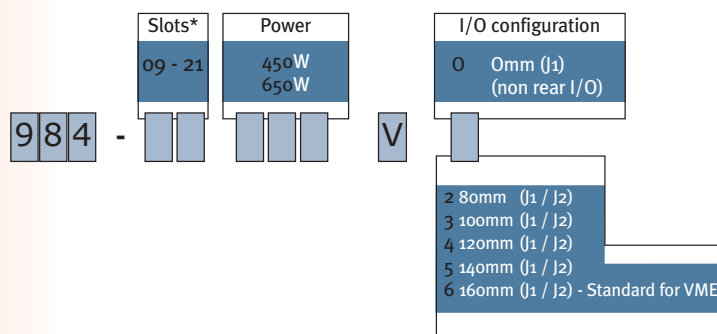
FEATURES

- EMC integrated system in 19" rack mount
- Card depth 160mm for 6U cards
- Ventilation from the front bottom via the card cage to the top rear
- Integrated LED for output voltages
- 9 - 21 slot backplane
- Power supplies 450W or 650 W in a pluggable 2U cassette (rear side)
- On / off-switch on the front
- Two front handles
- Two or three fans in a pluggable 2U cassette (front side) including air filter
- VME Monolithic Classic, 21 slots in 6U 160mm I/O sockets possible (option 1-6)
- VME J1 Classic without I/O sockets (option 0)



Dimension: Height: 9 U
 Width: 84 HP
 Depth: 400 mm

ORDERCODE-INSERT APPROPRIATE DIGIT



* Please check the availability of preferred parts on our homepage

AVAILABLE SLOTS

VME MONOLITHIC		30510-2XX-0000									
No. of slot	9	10	12	14	15	16	18	20	21		

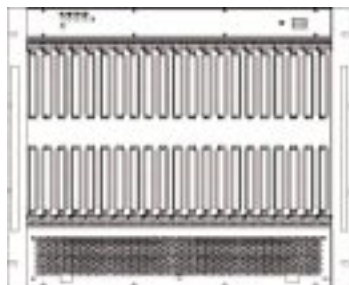
VME J1		50510-2XX-0000									
No. of slot	9	10	12	14	15	16	18	20	21		

Subject to technical change.

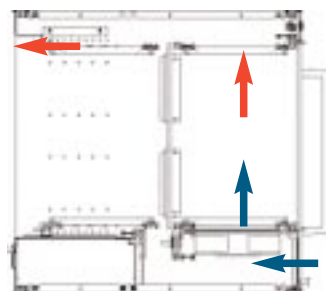
MECHANICAL DESIGN

SPECIFICATIONS

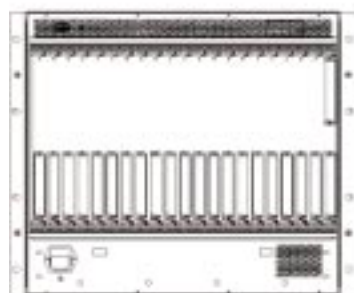
FRONT VIEW



SIDE VIEW (AIR FLOW)



REAR VIEW



FAN

- Mode permanent
- Dimension 119 x 119 x 32mm
- Nominal voltage 12 V
- Input power 5,76 W
- Air flow, free air 169,8 m³/h
- Noise 44 dB

POWER SUPPLY 450W

- Output power 450 W
- Output Voltages 5V/60A; 12V/5A; -12/2A
- Input voltage 100-240 VAC
- Frequency 50 - 60 Hz
- RFI, EMI EN55022 Class B (conducted)
- Approvals UL, CSA, EN, CE EN61000-3-2 (PFC)

POWER SUPPLY 650W

- Output power 650 W
- Output Voltages 5V/100A; 12V/6A; -12/4A
- Input voltage 100-240 VAC
- Frequency 50 - 60 Hz
- RFI, EMI EN55022 Class B (conducted)
- Approvals UL, CSA, EN, CE EN61000-3-2 (PFC)

SCOPE OF SUPPLY

High quality 19" rackmount chassis platform consisting of chromated aluminium enclosures, high performance J1 or Monolithic VME backplane, power supply, cooling system and AC/DC power components. Assembled, wired and tested prior to shipment.

Please note: custom configurations possible.