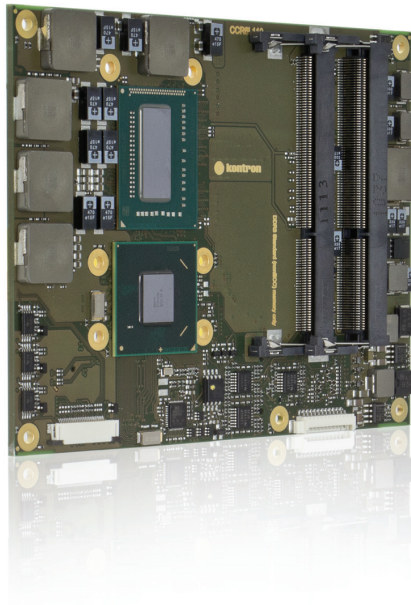


» COMe-bIP6 «



COM Express® basic Type 6 with 3rd Generation Intel® Core™ Processors

- » Intel® 3rd Generation Core™ i7/i5/i3/Celeron Series with QM77/HM76 PCH
- » With non-ECC DDR3 up to 16GB
- » Triple Independent Display support

Technical Information

Compliance

Dimensions (H x W x D)

CPU

Chipset

Main Memory

Graphics Controller

Ethernet Controller

Ethernet

Hard Disk

Flash Onboard

PCI Express® / PCI support

Panel signal

USB

Serial

Audio

Common Features

BIOS

Humidity

Options

Power Management

Power Supply

Special Features

Operating System

Temperature

COM Express® basic, Pin-out Type 6

125 x 95 mm

Intel® Core™ i7-3615QE, i7-3612QE, Intel® Core™ i7-3555LE, Intel® Core™ i7-3517UE, Intel® Core™ i5-3610ME, Intel® Core™ i3-3120ME, Intel® Core™ i3-3217UE, Intel® Celeron® 1020E, Intel® Celeron® 1047UE, Intel® Celeron® 927UE

Intel® Mobile QM77 (Core™ i3, i5, i7), Intel® Mobile HM76 (Celeron®)

2x DDR3-1600 SO-DIMM up to 2x8GB

Intel® HD4000 (GT2), Intel® HD Graphics (GT1)

Intel® 82579LM

10/100/1000 MBit Ethernet

2x SATA 6Gb/s, 2x SATA 3Gb/s

-

1x PEG x16, 7x PCIe x1

DDI1: DP++ or SDVO, DDI2: DP++, DDI3: DP++, VGA: Yes, LVDS: Dual Channel 18/24bit

2x USB 3.0 + 6x USB 2.0

2x serial interface (RX/TX only)

Intel® High Definition Audio

SPI, LPC, SMB, Fast I²C, Staged Watchdog, RTC, MARS

AMI Aptio UEFI

93% relative Humidity at 40°C, non-condensing (according to IEC 60068-2-78)

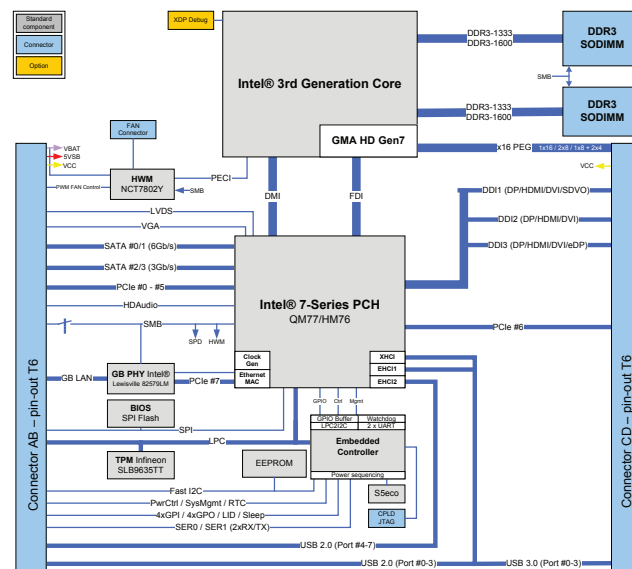
1x PCIe x1 additional w/o onboard LAN
vPRO (AMT/TXT/AES Support)

ACPI 4.0, S5 Eco

8.5V – 20V Wide Range, Single Supply Power

POSCAP capacitors, Trusted Platform Module TPM 1.2, eDP enabling by external Strap Option

Windows® 8, Windows® 7, WES7, WinXP, XPe, Linux, VxWorks

Commercial temperature: 0°C to +60°C operating, -30°C to +85°C non-operating
Extended temperature: -25°C to +75°C operating, -30°C to +85°C non-operating

CORPORATE OFFICES

Europe, Middle East & Africa

Lise-Meitner-Str. 3-5
86156 Augsburg
GermanyTel.: +49 (0) 821 4086-0
Fax: +49 (0) 821 4086 111
sales@kontron.com

North America

14118 Stowe Drive
Poway, CA 92064-7147
USATel.: +1 888 294 4558
Fax: +1 858 677 0898
info@us.kontron.com

Asia Pacific

17 Building, Block #1, ABP.
188 Southern West 4th Ring Road
Beijing 100070, P.R.ChinaTel.: +86 10 63751188
Fax: +86 10 83682438
info@kontron.cn